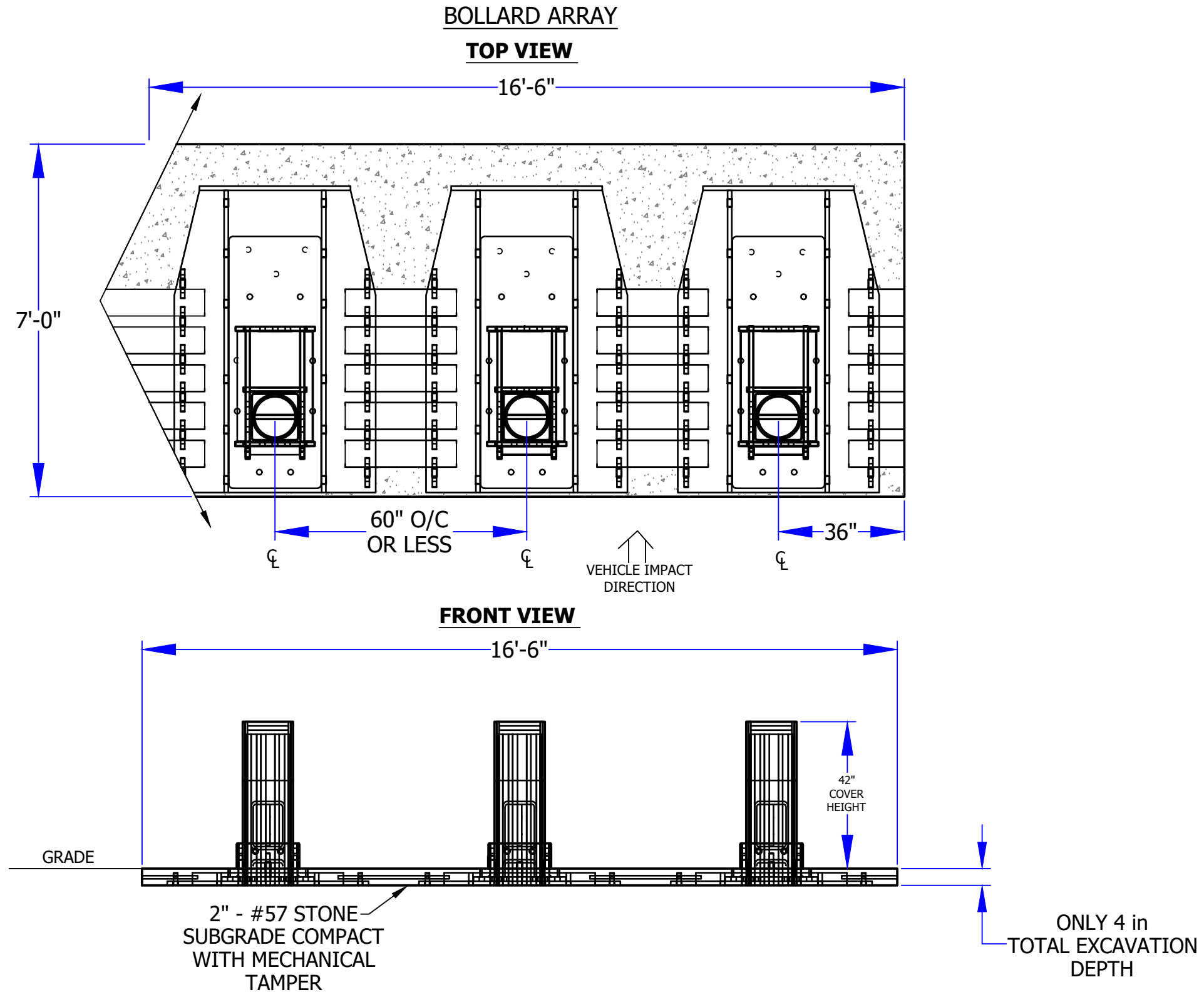


# SUPER SHALLOW BOLLARD POST BARRIER, MODEL SSP-800

ASTM-M40 P1, SUPER SHALLOW FOUNDATION AT ONLY 4" EXCAVATION DEPTH

**PROPRIETARY & CONFIDENTIAL**  
**PATENT PENDING**  
**FOR USE WORKING WITH BARRIER1 SYSTEMS ONLY**  
**ALL RIGHTS RESERVED. DO NOT COPY OR REPRODUCE**



**BARRIER1 SYSTEMS, INC.**

8015 THORNDIKE ROAD  
 GREENSBORO, NC 27409  
 (336) 617-8478 (336) 617-8471 FAX  
 mlamore@barrier1.us www.barrier1.us

*PATENT PENDING*  
 THE DRAWINGS AND INFORMATION CONTAINED HEREIN ARE PROPRIETARY AND CONFIDENTIAL AND FOR USE BY ONLY PERSONS WORKING ON PROJECT WITH BARRIER1 SYSTEMS, INC. DO NOT COPY OR REPRODUCE. ALL RIGHTS RESERVED.

SUPER SHALLOW BOLLARD POST  
 MODEL SSP-800 - 4 IN

SHEET: 1

20191108-01-P

SCALE: N.T.S.

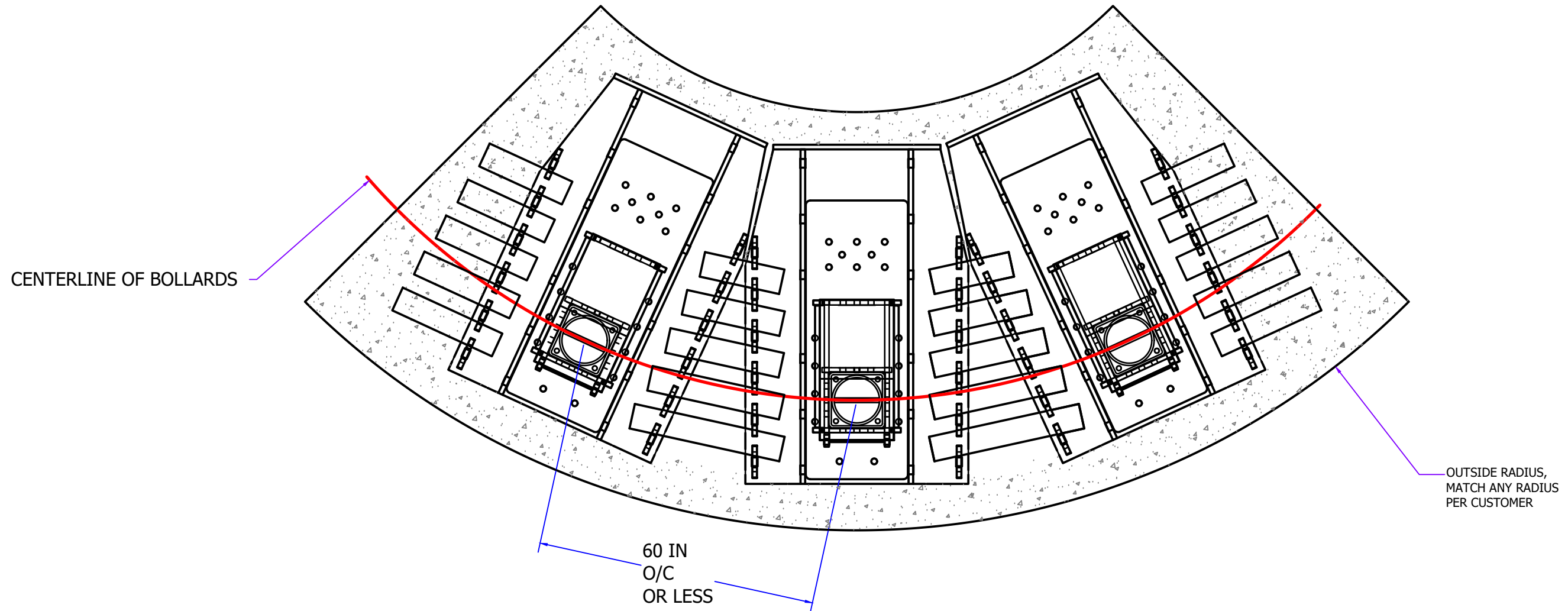
# SUPER SHALLOW BOLLARD POST BARRIER, MODEL SSP-800

ASTM-M40 P1, SUPER SHALLOW FOUNDATION AT ONLY 4" EXCAVATION DEPTH

**PROPRIETARY & CONFIDENTIAL**  
**PATENT PENDING**  
**FOR USE WORKING WITH BARRIER1 SYSTEMS ONLY**  
**ALL RIGHTS RESERVED. DO NOT COPY OR REPRODUCE**

## TOP VIEW BOLLARD ARRAY ON A CURVE

BARRIER ARRAY WITH CURVE



### BARRIER1 SYSTEMS, INC.

8015 THORNDIKE ROAD  
GREENSBORO, NC 27409  
(336) 617-8478 (336) 617-8471 FAX  
mlamore@barrier1.us www.barrier1.us

*PATENT PENDING*  
**THE DRAWINGS AND INFORMATION CONTAINED HEREIN ARE PROPRIETARY AND CONFIDENTIAL AND FOR USE BY ONLY PERSONS WORKING ON PROJECT WITH BARRIER1 SYSTEMS, INC. DO NOT COPY OR REPRODUCE. ALL RIGHTS RESERVED.**

**SUPER SHALLOW BOLLARD POST  
MODEL SSP-800 - 4 IN**

SHEET: 2

20191108-01-P

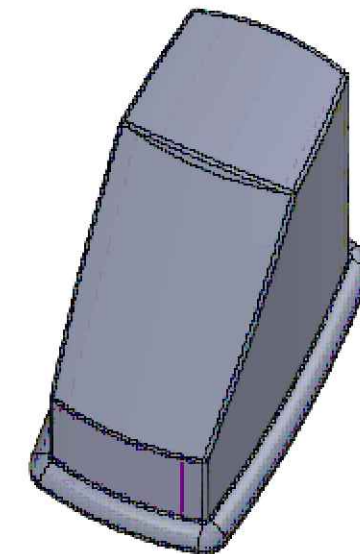
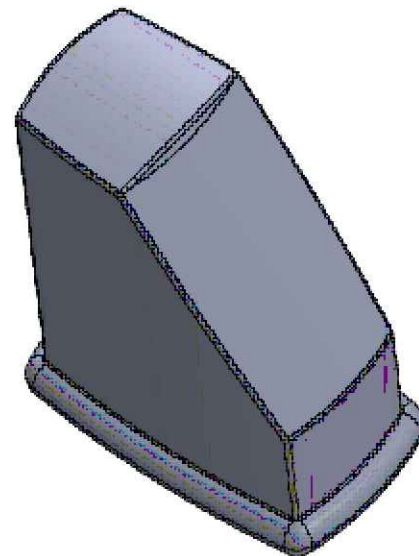
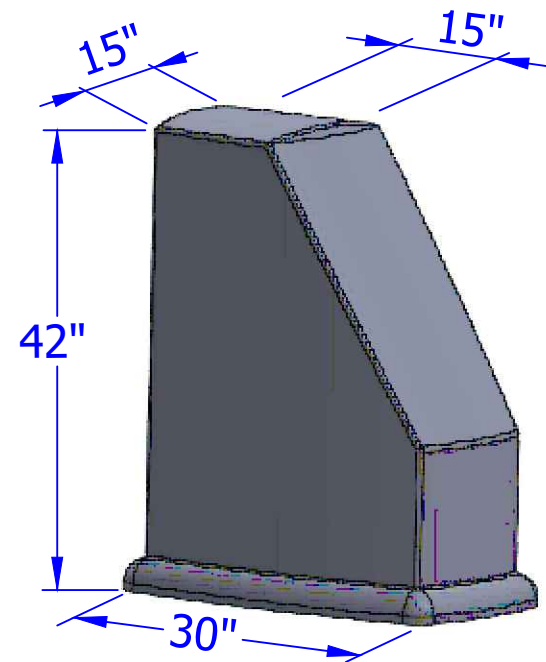
SCALE: N.T.S.

# SUPER SHALLOW BOLLARD POST BARRIER, MODEL SSP-800

ASTM-M40 P1, SUPER SHALLOW FOUNDATION AT ONLY 4" EXCAVATION DEPTH

**PROPRIETARY & CONFIDENTIAL**  
**PATENT PENDING**  
**FOR USE WORKING WITH BARRIER1 SYSTEMS ONLY**  
**ALL RIGHTS RESERVED. DO NOT COPY OR REPRODUCE**

## DECORATIVE COVER



**NOTE:**  
ANY COLOR CAN BE MATCHED FOR THIS COVER



**BARRIER1 SYSTEMS, INC.**

8015 THORNDIKE ROAD  
GREENSBORO, NC 27409  
(336) 617-8478 (336) 617-8471 FAX  
mlamore@barrier1.us www.barrier1.us

**PATENT PENDING**  
**THE DRAWINGS AND INFORMATION CONTAINED HEREIN ARE PROPRIETARY AND CONFIDENTIAL AND FOR USE BY ONLY PERSONS WORKING ON PROJECT WITH BARRIER1 SYSTEMS, INC. DO NOT COPY OR REPRODUCE. ALL RIGHTS RESERVED.**

**SUPER SHALLOW BOLLARD POST  
MODEL SSP-800 - 4 IN**

SHEET: 3

20191108-01-P

SCALE: N.T.S.

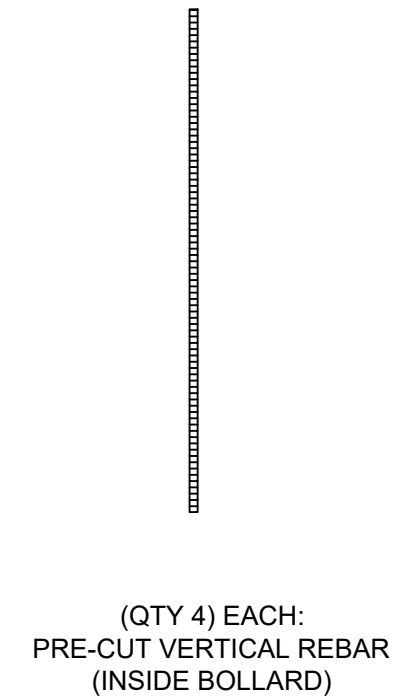
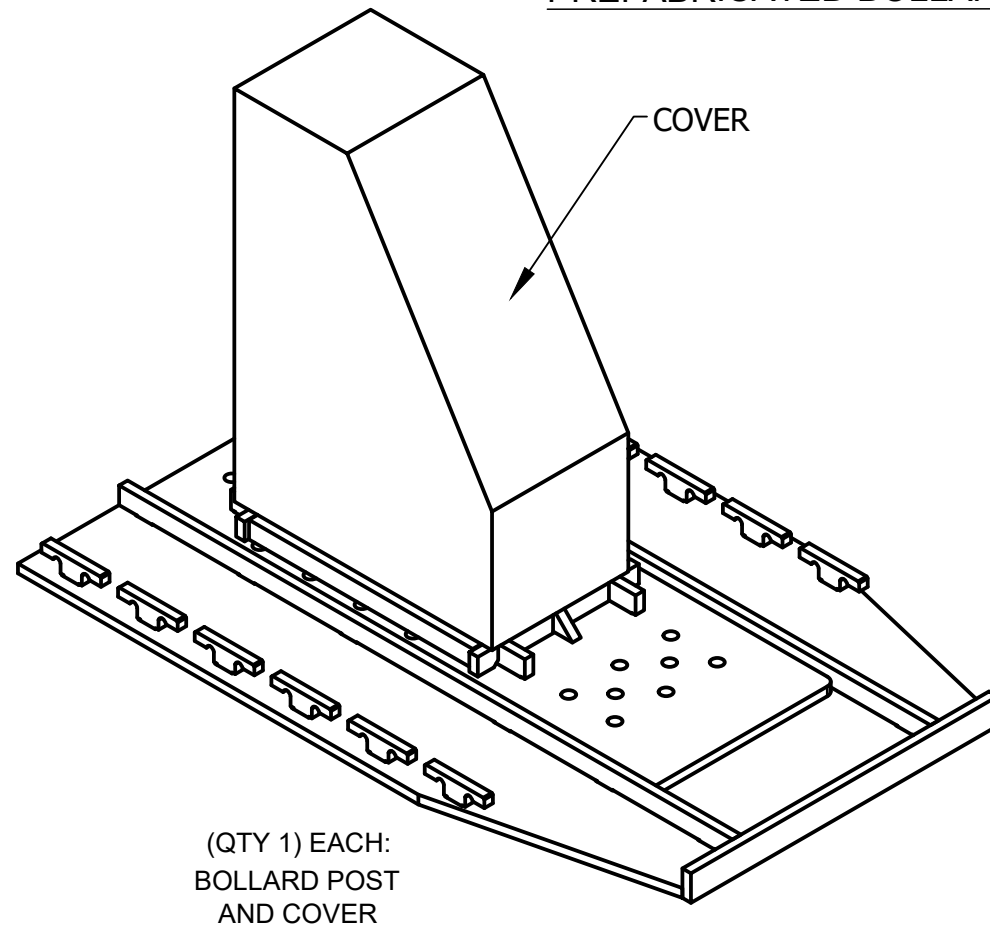
# SUPER SHALLOW BOLLARD POST BARRIER, MODEL SSP-800

ASTM-M40 P1, SUPER SHALLOW FOUNDATION AT ONLY 4" EXCAVATION DEPTH

**PROPRIETARY & CONFIDENTIAL**  
**PATENT PENDING**

**FOR USE WORKING WITH BARRIER1 SYSTEMS ONLY**  
**ALL RIGHTS RESERVED. DO NOT COPY OR REPRODUCE**

## PREFABRICATED BOLLARD MATERIALS AND COVER PROVIDED BY BARRIER1 SYSTEMS



## MATERIALS PROVIDED BY INSTALLER

1. CONCRETE, 1.25 CUBIC YARDS PER BOLLARD



**BARRIER1 SYSTEMS, INC.**

8015 THORNDIKE ROAD  
GREENSBORO, NC 27409  
(336) 617-8478 (336) 617-8471 FAX  
mlamore@barrier1.us www.barrier1.us

*PATENT PENDING*  
*THE DRAWINGS AND INFORMATION CONTAINED HEREIN ARE PROPRIETARY AND CONFIDENTIAL AND FOR USE BY ONLY PERSONS WORKING ON PROJECT WITH BARRIER1 SYSTEMS, INC. DO NOT COPY OR REPRODUCE. ALL RIGHTS RESERVED.*

**SUPER SHALLOW BOLLARD POST**  
**MODEL SSP-800 - 4 IN**

SHEET: 4

20191108-01-P

SCALE: N.T.S.