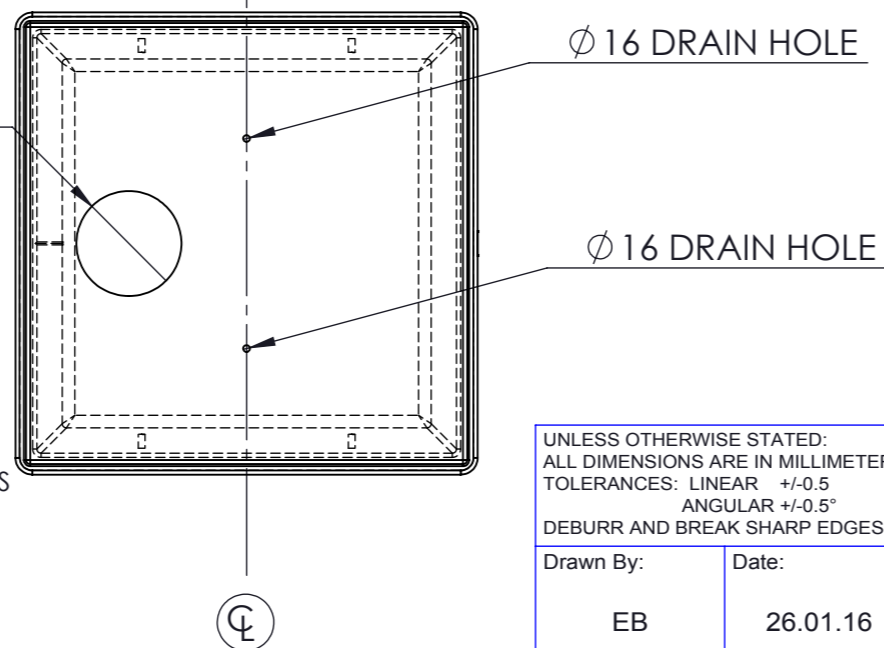


Ø 250 MAXIMUM HOLE CAN BE REDUCED TO ACCEPT SMALLER DIA BOLLARDS

4 OFF 16DIA X 50mm DEEP BLIND HOLES ON INSIDE FACES FOR M12 THREADED LIFTING SOCKETS



**GENERAL NOTES**

4No. M12 THREADED CONCRETE LIFTING SOCKETS TO BE CAST INTO THE MOULD, IN THE SHOWN POSITIONS ON OPPOSITE FACES.

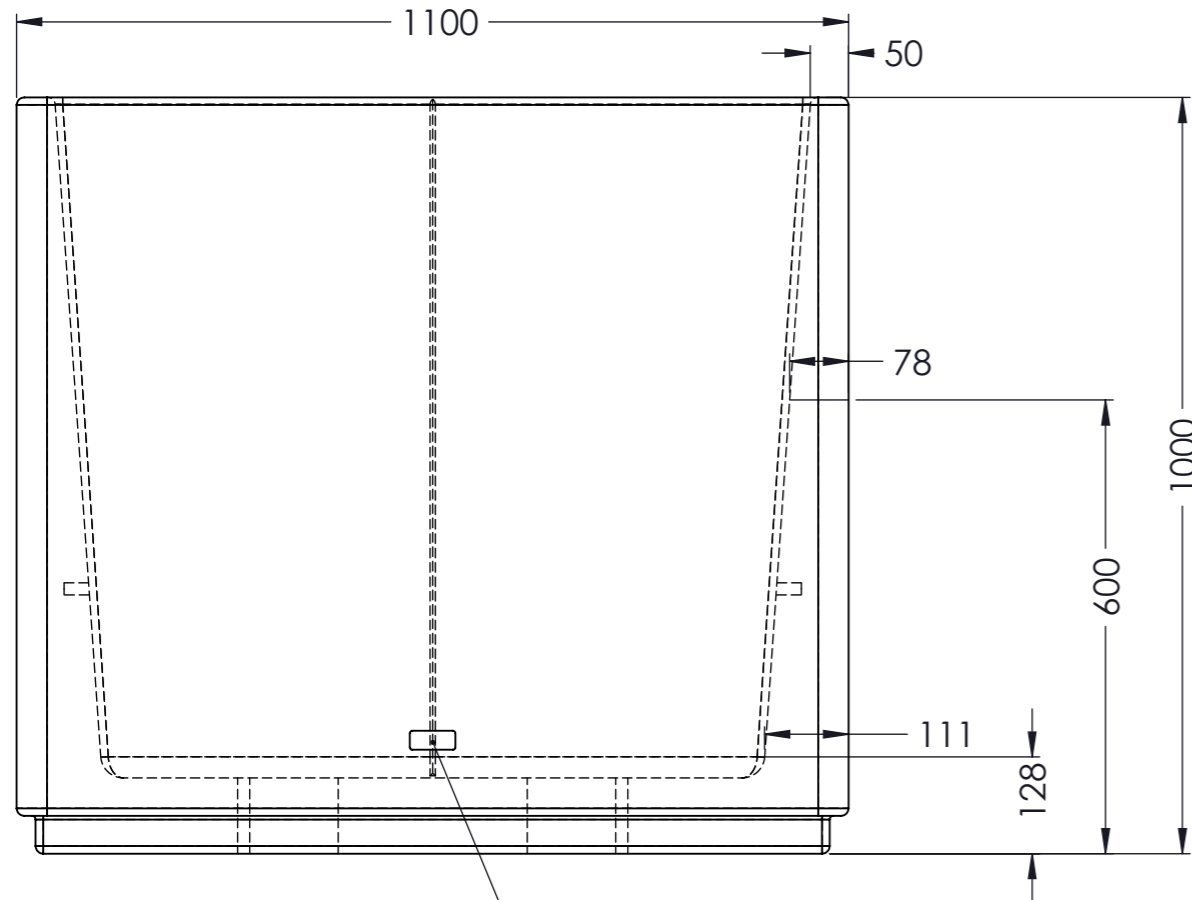
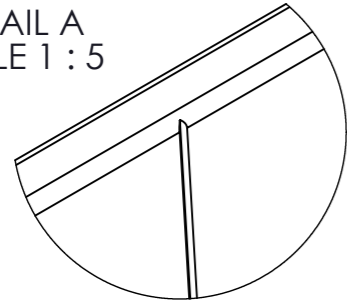
THE M12 SOCKETS ARE TO BE SUPPLIED BY THE CONCRETE CASTERS.

UNLESS OTHERWISE STATED: ALL DIMENSIONS ARE IN MILLIMETERS TOLERANCES: LINEAR +/-0.5 ANGULAR +/-0.5° DEBURR AND BREAK SHARP EDGES		Material: <b>CONCRETE</b>	Finish: <b>SILVER GREY ACID ETCHED</b>	Title: <b>RHINO GUARD CONCRETE PLANTER SHROUD SURFACE MOUNTED</b>
Drawn By: <b>EB</b>	Date: <b>26.01.16</b>			Drawing No: <b>RG-PL-00008</b>
Check By:	Date:			<p>This drawing is the sole property and copyright of Marshall's Street Furniture and may not be disclosed to any third party or reproduced in whole or in part without the prior written consent of an authorised representative of the company.</p>
DO NOT SCALE DRAWING			Scale: N.T.S.	Sheet: 1 of 1

RevNo	Revision Note	Date	Signature
C	ADD V NOTCH DOWN INSIDE FACE	12.02.16	EB
B	DECREASE WALL THICKNESS CHANGE LOGO THRU HOLE UPDATED	08.02.16	EB

**A3**

DETAIL A  
SCALE 1:5



60 X 25 X 0.5mm TH  
SURFACE MOUNTED  
MARSHALLS LOGO

10mm RADIUS  
TO THESE EDGES

7 x 7mm V notch  
centrally  
down this face

50mm DEEP BLIND  
HOLES FOR LIFTING  
SOCKETS

THRU HOLE FOR  
BOLLARD

DRAIN HOLES

40mm RADUS TO  
OUTSIDE CORNER  
EDGES

shadow edge

30mm RADUS TO  
INSIDE EDGES

RevNo	Revision Note	Date	Signature
C	ADD V NOTCH DOWN INSIDE FACE	12.02.16	EB
B	DECREASE WALL THICKNESS CHANGE LOGO THRU HOLE UPDATED	08.02.16	EB

UNLESS OTHERWISE STATED:  
ALL DIMENSIONS ARE IN MILLIMETERS  
TOLERANCES: LINEAR +/-0.5  
ANGULAR +/-0.5°  
DEBURR AND BREAK SHARP EDGES

Material:  
**CONCRETE**

Finish:  
**SILVER GREY  
ACID ETCHED**

Title:  
**RHINO GUARD CONCRETE PLANTER SHROUD  
SURFACE MOUNTED**

Drawn By:  
**EB**

Date:  
**26.01.16**

**Marshalls**  
street furniture  
P.O. Box 6, High Flatworth,  
Tyne Tunnel Trading Estate  
North Shields,  
Tyne and Wear, NE29 7SJ  
Tel: (0870) 600 2425  
Fax: (0191) 258 8041

Drawing No:  
**RG-PL-00008**

Check By:

Date:

This drawing is the sole property and copyright of Marshalls Street Furniture and may not be disclosed to any third party or reproduced in whole or in part without the prior written consent of an authorised representative of the company.

**DO NOT SCALE DRAWING**  
Scale: **N.T.S.** Sheet: **2 of 1**

**A3**