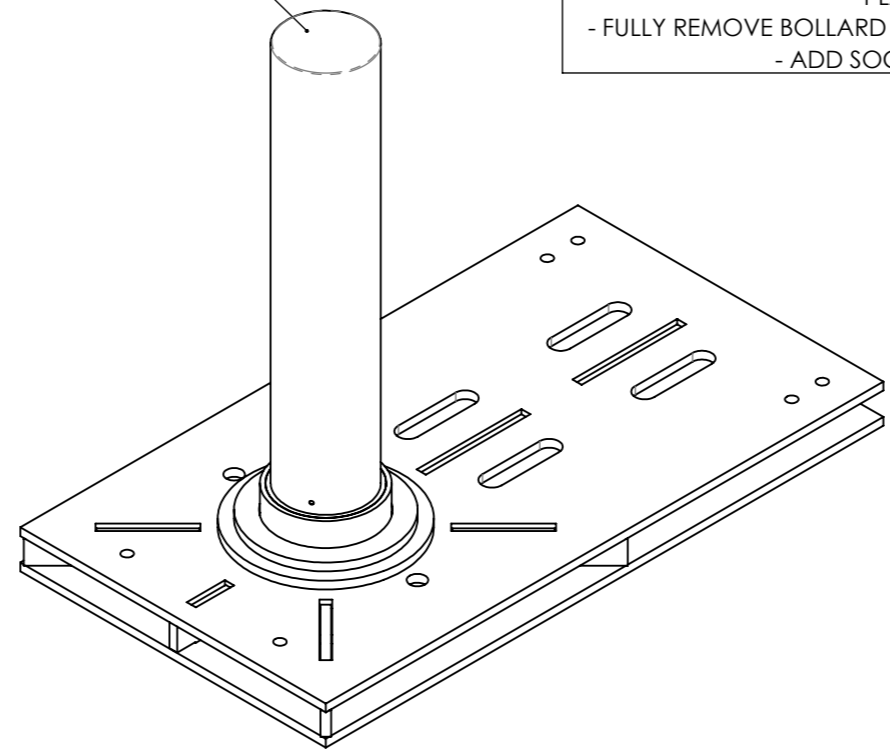


Ø204 BRUSHED
STAINLESS STEEL SLEEVE

- REMOVAL INSTRUCTIONS:**
- REMOVE ANY DECORATIVE SLEEVE OVER BOLLARD CORE.
 - UNSCREW 2 No. M20 LOCKING NUTS AT TOP OF BOLLARD CORE.
 - UNSCREW AND REMOVE M20 LOCKING THREADED BAR.
 - INSERT M30 EYE BOLT INTO TOP OF BOLLARD CORE.
 - USE A SUITABLE RATED SLING TO LIFT BOLLARD CORE SLIGHTLY. CORE WEIGHT 140KG!
 - ROTATE BOLLARD CORE 90° TO DISENGAGE LOCKING PLATES.
 - FULLY REMOVE BOLLARD CORE AND STORE SECURELY.
 - ADD SOCKET COVER.



THIS DRAWING IS THE SOLE PROPERTY AND COPYRIGHT OF MARSHALLS STREET FURNITURE AND MAY NOT BE DISCLOSED TO ANY THIRD PARTY OR REPRODUCED IN WHOLE OR IN PART WITHOUT THE PRIOR WRITTEN CONSENT OF AN AUTHORISED REPRESENTATIVE OF THE COMPANY. UNAUTHORISED PARTIAL OR COMPLETE REPRODUCTION, IN EITHER TWO OR THREE DIMENSIONAL FORM, MAY RESULT IN LEGAL ACTION. THE USE OF THIS DRAWING TO OBTAIN QUOTES FROM OTHER SUPPLIERS OTHER THAN MARSHALLS URBAN STRUCTURES MAY RESULT IN LEGAL ACTION.



Marshalls
PREMIER WAY
LOWFIELDS BUSINESS PARK
ELLAND
HALIFAX
WEST YORKS
HX5 9HT

TEL: 0870 990 7504

EMAIL: info@marshalls.co.uk

- NOTES:**
1. ALL DIMENSIONS ARE IN MILLIMETRES UNLESS OTHERWISE STATED.
 2. DO NOT SCALE DRAWING.
 3. REMOVE ALL BURRS, SWarf AND SHARP EDGES (BREAK ALL EDGES WITH SOFT SANDING DISC).
 4. ALL WELDS 6MM UNLESS STATED OTHERWISE.
 5. CLEAN ALL WELDS, NO SPATTER, NO SLAG.
 6. ZERO DIMENSIONAL TOLERANCE ON PROFILES. CUT SECTIONS AS INDICATED.

THIRD ANGLE PROJECTION	UNLESS OTHERWISE STATED: ALL DIMENSIONS ARE IN MILLIMETRES
	TOLERANCES: LINEAR 0.0 : +0.1 0.00 : +/-0.01 ANGULAR +/-0.5° DEBURR AND BREAK SHARP EDGES

Rev	Inits	Revision Notes	ER No.	Date
A	MB	FIRST ISSUE	-	07/06/19
B	-	-	-	--/--/--
C	-	-	-	--/--/--
D	-	-	-	--/--/--
E	-	-	-	--/--/--

MATERIAL:
VARIOUS

GRADE:
VARIOUS

FINISH:
GALVANISED AND PZZAPP

APPROX MASS:
544.7 KG

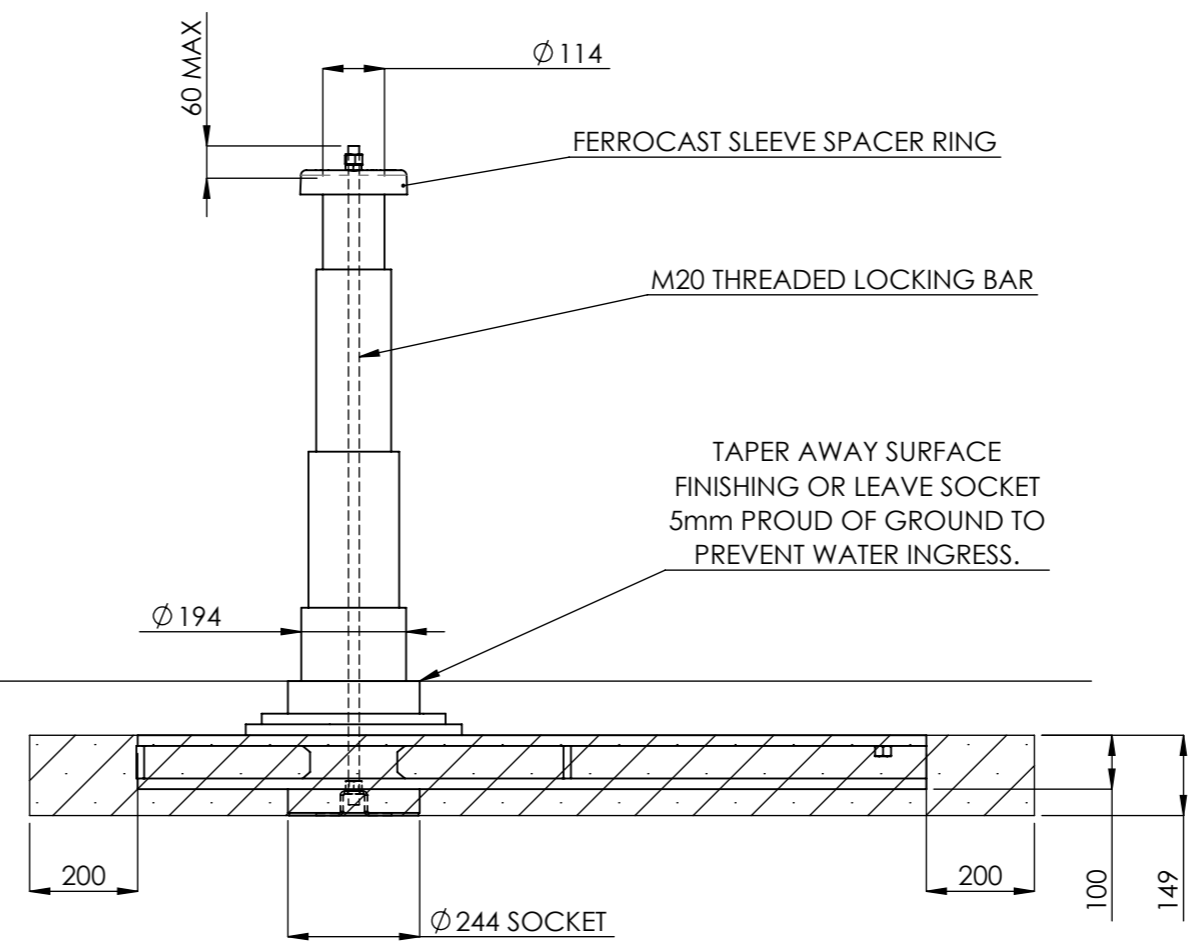
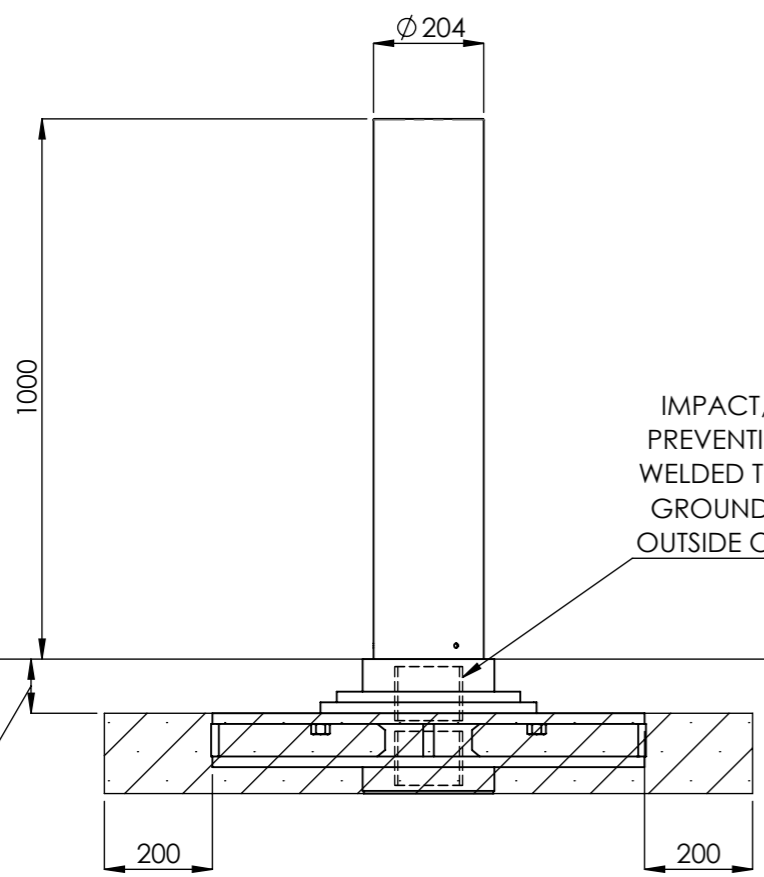
LIFT OUT SHALLOMOUNT

PRODUCT RANGE:
RHINO GUARD

SHEET TITLE:
RhinoGuard IWA-14 72/40 Super Shallowmount - Lift Out - SS Sleeve

DRAWING NUMBER:
PS-RG-SM-99999

DRAWN BY MB	REVISION [A]
DATE 07/06/19	
SCALE 1:14@A3	SHEET 1 of 1



FOR INSTALLATION INSTRUCTIONS PLEASE REFER TO THE STANDARD 72-40 SHALLOMOUNTS DOCUMENTS.