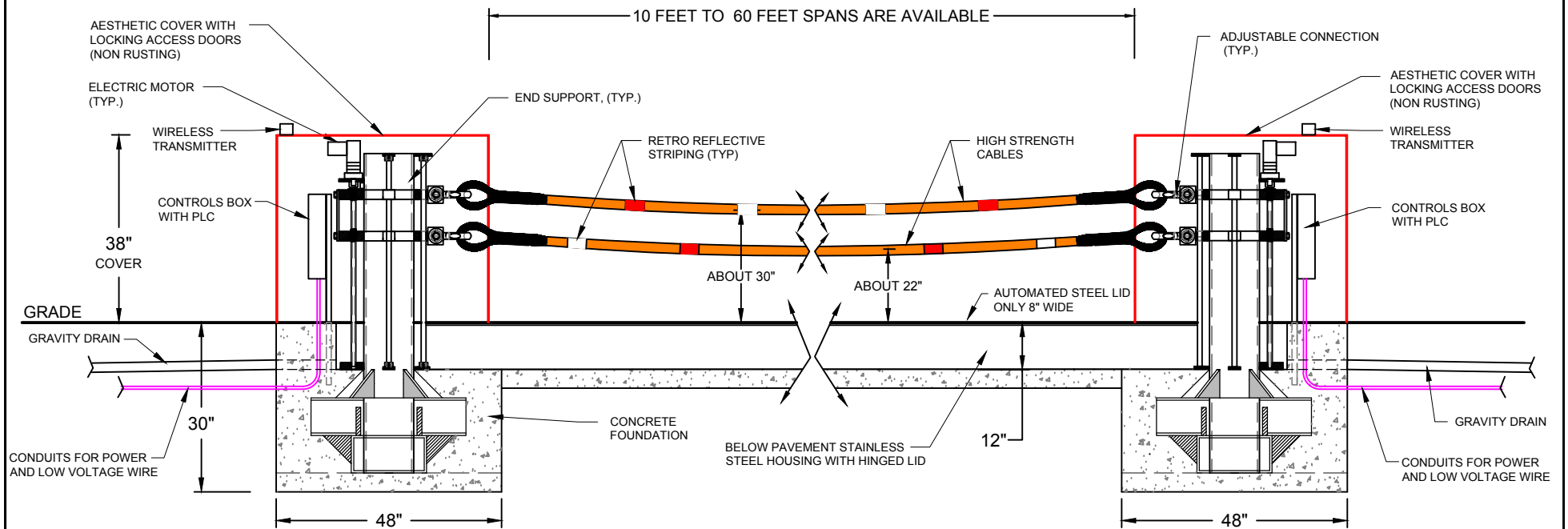


CROWD PROTECTION BARRIER - GROUND RETRACTABLE MODEL CPB-GR-1200 (AUTOMATED VEHICLE BARRIER)

ASTM F2656-07 M50 P1 (K12) ENGINEERED, STOPS 15,000 LB. TRUCK @ 50 MPH
 CLEAR SPAN BARRIER LENGTHS FROM 10 FEET TO 60 FEET ACROSS ROADWAYS

ELEVATION VIEW - RAISED POSITION



KEY CAPABILITIES

1. MASSIVE STOPPING CAPABILITY.
2. NON-INTRUSIVE SMALL FOOTPRINT WITH AESTHETIC ENCLOSURES.
3. GROUND RETRACTED BARRIER WITH SMALL 8" WIDE CONTINUOUS COVER FLUSH WITH ROADWAY.
4. HIGHLY VISIBLE BARRIER WITH RETRO REFLECTIVE STRIPING.
5. BI-DIRECTIONAL STOPPING (INBOUND AND OUTBOUND VEHICLES).
6. PREFABRICATED AND PRE-ASSEMBLED UPON DELIVERY TO FACILITATE INSTALLATION.
7. ALL ELECTRIC AUTOMATED OPERATIONS WITH OPTIONAL BACKUP POWER.
8. CUSTOM CONTROL PANELS AND WIRELESS REMOTE OPERATORS.
9. THERMOSTAT CONTROLLED HEATING AND GRAVITY DRAINS.
10. UNAFFECTED BY WATER, SALT, ICE AND OTHER WEATHER.



BARRIER1 SYSTEMS, INC.

8015 THORNDIKE ROAD
 GREENSBORO, NC 27409
 (336) 617-8478 (336) 617-8471 FAX
 mlamore@barrier1.us www.barrier1.us

THE DRAWINGS AND INFORMATION CONTAINED HEREIN ARE PROPRIETARY AND CONFIDENTIAL AND FOR USE BY ONLY PERSONS WORKING ON PROJECT WITH BARRIER1 SYSTEMS, INC. DO NOT COPY OR REPRODUCE. ALL RIGHTS RESERVED.

**CROWD PROTECTION
 BARRIER SYSTEM
 M50 P1 (K12)**

SAMPLE DRAWINGS

SHEET: 1 OF 5

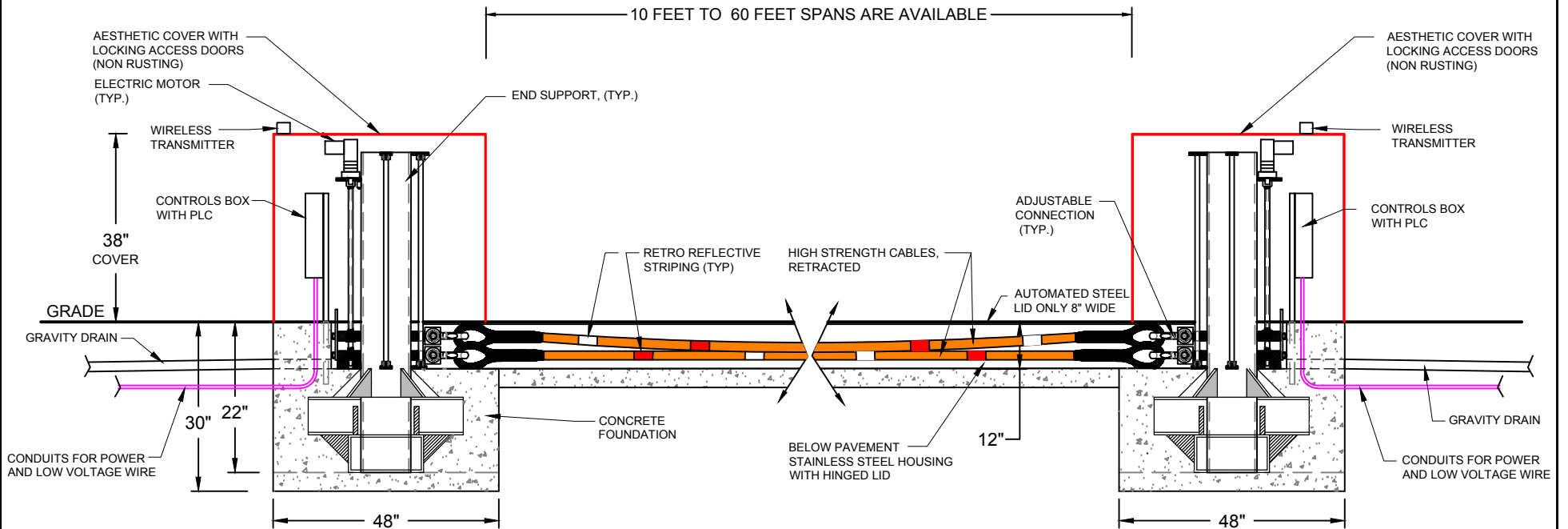
09122017

SCALE: N.T.S.

CROWD PROTECTION BARRIER - GROUND RETRACTABLE MODEL CPB-GR-1200 (AUTOMATED VEHICLE BARRIER)

ASTM F2656-07 M50 P1 (K12) ENGINEERED, STOPS 15,000 LB. TRUCK @ 50 MPH
CLEAR SPAN BARRIER LENGTHS FROM 10 FEET TO 60 FEET ACROSS ROADWAYS

ELEVATION VIEW - LOWERED POSITION



BARRIER1 SYSTEMS, INC.

8015 THORNDIKE ROAD
 GREENSBORO, NC 27409
 (336) 617-8478 (336) 617-8471 FAX
 mlamore@barrier1.us www.barrier1.us

THE DRAWINGS AND INFORMATION CONTAINED HEREIN ARE PROPRIETARY AND CONFIDENTIAL AND FOR USE BY ONLY PERSONS WORKING ON PROJECT WITH BARRIER1 SYSTEMS, INC. DO NOT COPY OR REPRODUCE. ALL RIGHTS RESERVED.

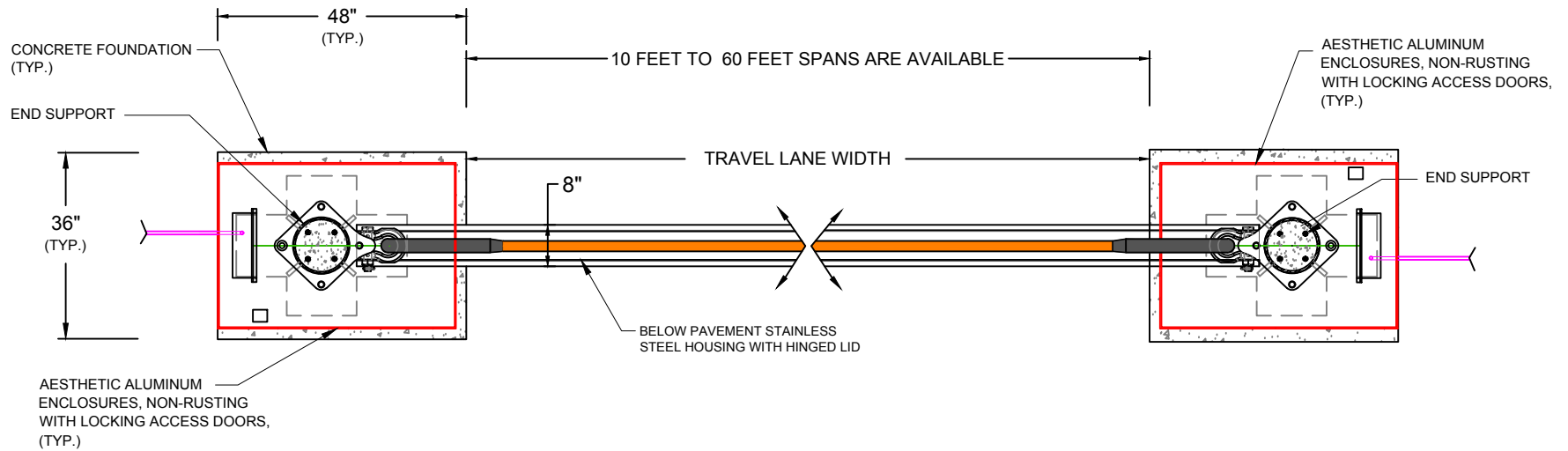
RETRACTABLE CABLE PROTECTION BARRIER SYSTEM - M50 P1 (K12)

SAMPLE DRAWINGS

SHEET: 2 OF 5
 09122017
 SCALE: N.T.S.

CROWD PROTECTION BARRIER - GROUND RETRACTABLE MODEL CPB-GR-1200 (AUTOMATED VEHICLE BARRIER)
ASTM F2656-07 M50 P1 (K12) ENGINEERED, STOPS 15,000 LB. TRUCK @ 50 MPH
CLEAR SPAN BARRIER LENGTHS FROM 10 FEET TO 60 FEET ACROSS ROADWAYS

TOP VIEW



BARRIER1 SYSTEMS, INC.

8015 THORNDIKE ROAD
 GREENSBORO, NC 27409
 (336) 617-8478 (336) 617-8471 FAX
 mlamore@barrier1.us www.barrier1.us

THE DRAWINGS AND INFORMATION CONTAINED HEREIN ARE PROPRIETARY AND CONFIDENTIAL AND FOR USE BY ONLY PERSONS WORKING ON PROJECT WITH BARRIER1 SYSTEMS, INC. DO NOT COPY OR REPRODUCE. ALL RIGHTS RESERVED.

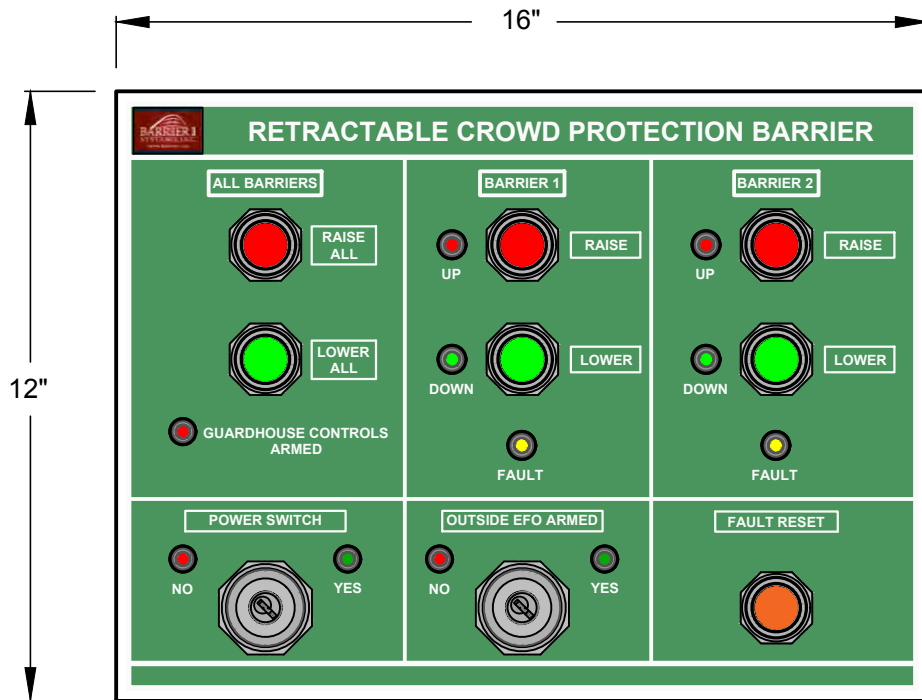
RETRACTABLE CABLE PROTECTION BARRIER SYSTEM - M50 P1 (K12)

SAMPLE DRAWINGS

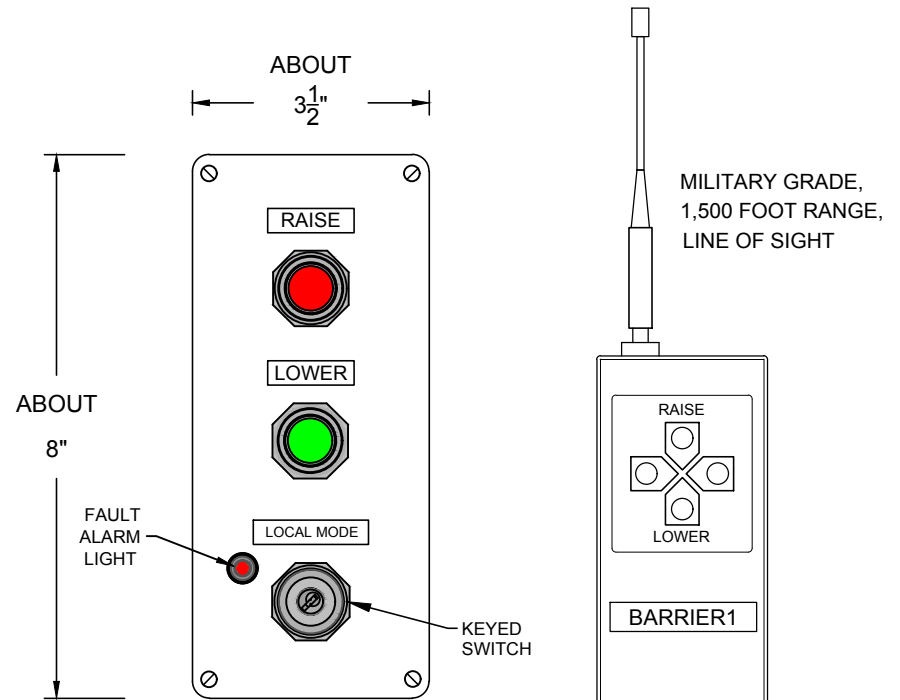
SHEET: 3 OF 5
 09122017
 SCALE: N.T.S.

CROWD PROTECTION BARRIER - GROUND RETRACTABLE MODEL CPB-GR-1200 (AUTOMATED VEHICLE BARRIER)
ASTM F2656-07 M50 P1 (K12) ENGINEERED, STOPS 15,000 LB. TRUCK @ 50 MPH
CLEAR SPAN BARRIER LENGTHS FROM 10 FEET TO 60 FEET ACROSS ROADWAYS

TYPICAL CONTROLLERS



MAIN CONTROL PANEL



LOCAL CONTROLLER
(LOCKED INSIDE ENCLOSURE)

WIRELESS CONTROLLER

NOTE:

1. CONTROL PANEL IS CUSTOMIZED TO MEET CUSTOMER NEEDS AND SECURITY REQUIREMENTS.
2. CONTROL PANEL SHOWN ABOVE IS FOR TWO (2) CROWD PROTECTION BARRIER SYSTEMS.



BARRIER1 SYSTEMS, INC.

8015 THORNDIKE ROAD
 GREENSBORO, NC 27409
 (336) 617-8478 (336) 617-8471 FAX
 miamore@barrier1.us www.barrier1.us

THE DRAWINGS AND INFORMATION CONTAINED HEREIN ARE PROPRIETARY AND CONFIDENTIAL AND FOR USE BY ONLY PERSONS WORKING ON PROJECT WITH BARRIER1 SYSTEMS, INC. DO NOT COPY OR REPRODUCE. ALL RIGHTS RESERVED.

RETRACTABLE CABLE PROTECTION BARRIER SYSTEM - M50 P1 (K12)

SAMPLE DRAWINGS

SHEET: 4 OF 5
 DATE: 09/12/2017
 SCALE: N.T.S.

CROWD PROTECTION BARRIER - GROUND RETRACTABLE MODEL CPB-GR-1200 (AUTOMATED VEHICLE BARRIER)

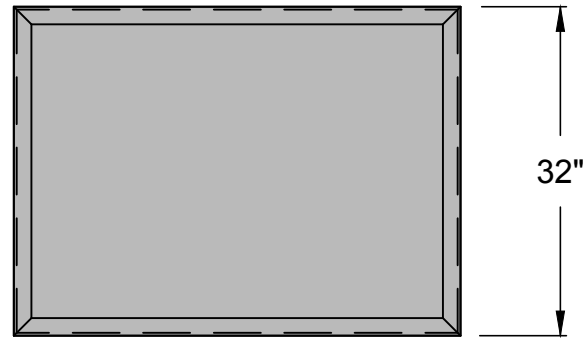
**ASTM F2656-07 M50 P1 (K12) ENGINEERED, STOPS 15,000 LB. TRUCK @ 50 MPH
CLEAR SPAN BARRIER LENGTHS FROM 10 FEET TO 60 FEET ACROSS ROADWAYS**

AESTHETIC ENCLOSURES

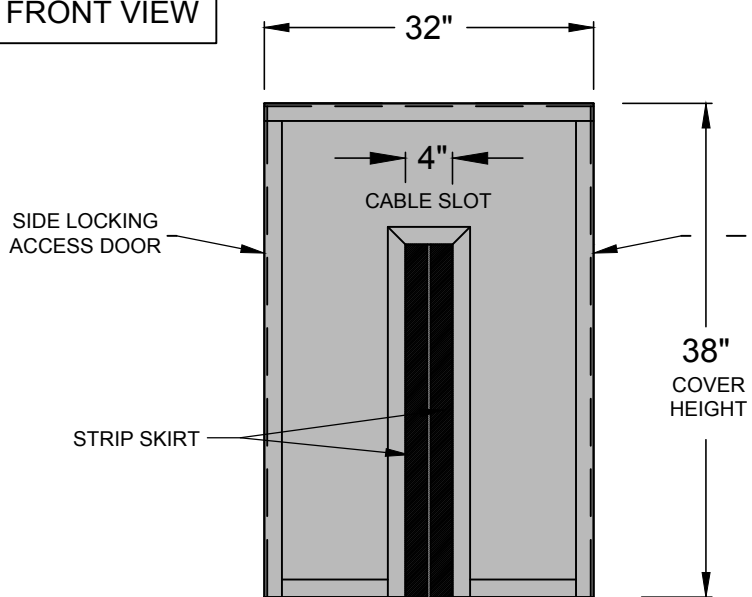
ALUMINUM NON-RUSTING

NOTE:
COLD WEATHER PACKAGE INCLUDES INSULATED ENCLOSURES, SEALS ON DOORS AND THERMOSTAT CONTROLLED SPACE HEATERS.

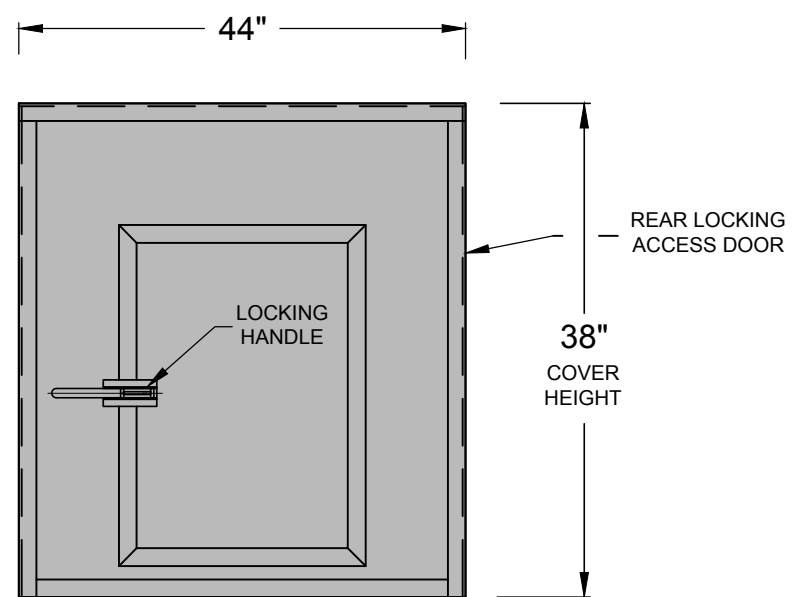
TOP VIEW



FRONT VIEW



SIDE VIEW



BARRIER1 SYSTEMS, INC.

8015 THORNDIKE ROAD
GREENSBORO, NC 27409
(336) 617-8478 (336) 617-8471 FAX
mlamore@barrier1.us www.barrier1.us

THE DRAWINGS AND INFORMATION CONTAINED HEREIN ARE PROPRIETARY AND CONFIDENTIAL AND FOR USE BY ONLY PERSONS WORKING ON PROJECT WITH BARRIER1 SYSTEMS, INC. DO NOT COPY OR REPRODUCE. ALL RIGHTS RESERVED.

RETRACTABLE CABLE PROTECTION BARRIER SYSTEM - M50 P1 (K12)

SAMPLE DRAWINGS

SHEET: 5 OF 5

09122017

SCALE: N.T.S.