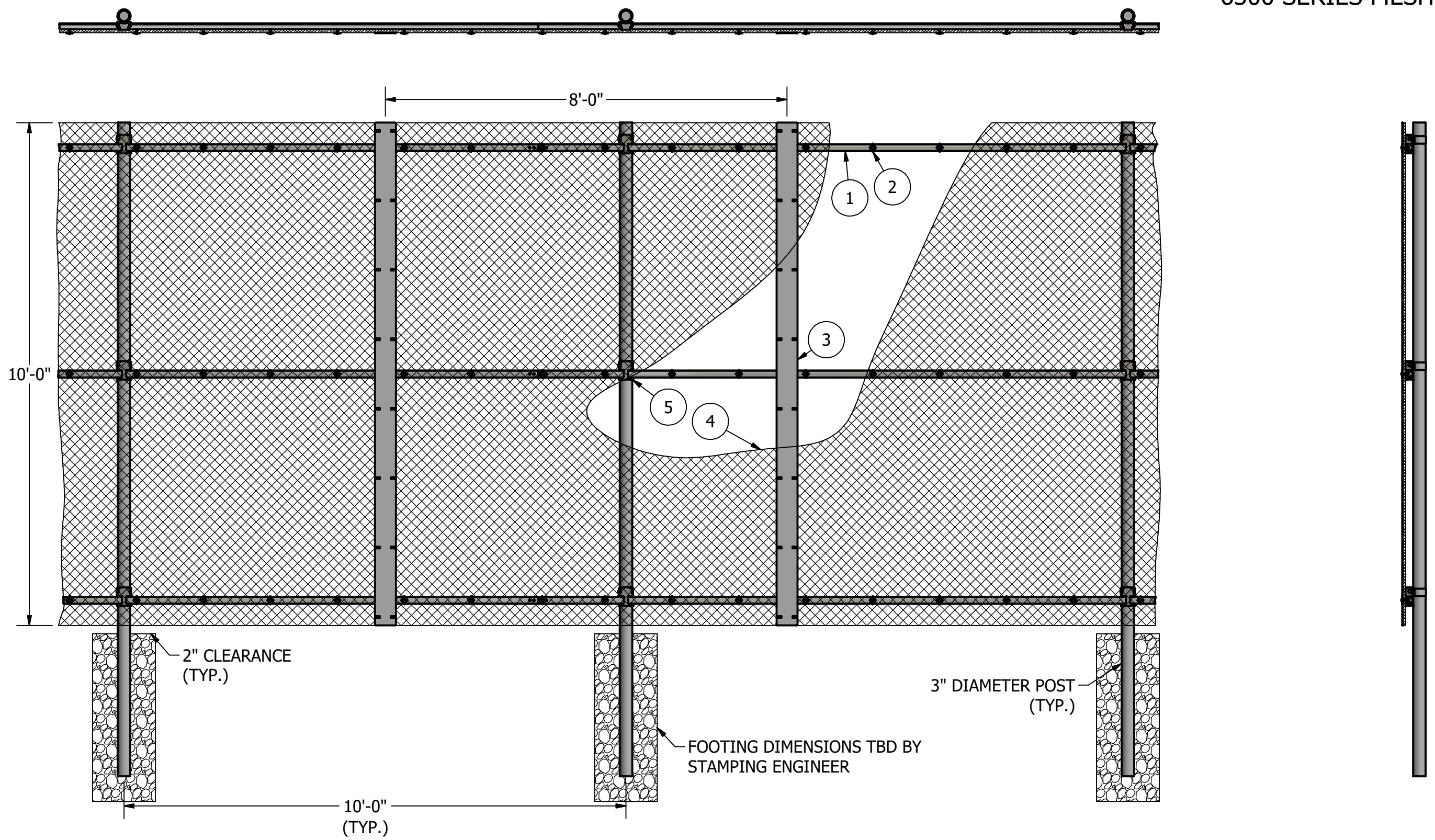
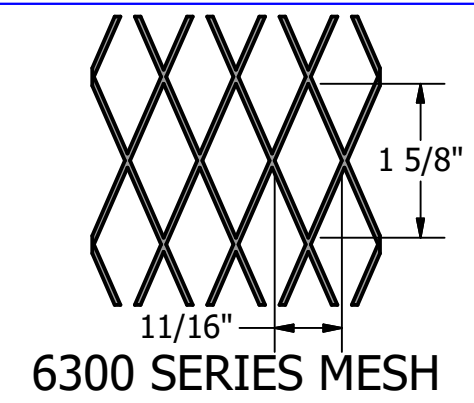


- 1. INFINIRAIL
- 2. DIAMOND FASTENER (APPROX. EVERY 16" ON INFINIRAIL)
- 3. SPLICE PLATE (5" WIDTH)
- 4. 6300 SERIES MESH
- 5. AMICLAMP



THIS DRAWING IS THE PROPERTY OF AMICO, INC., AND IS CONFIDENTIAL AND MUST NOT BE MADE PUBLIC OR COPIED, AND IS SUBJECT TO RETURN ON DEMAND. ALL RIGHTS OF INVENTION OR DESIGN ARE RESERVED.



REV	DATE	DESCRIPTION	C/JC	BY
0	5/14/2019	FOR APPROVAL		

<b>CHAMELEON 6300 10FT TALL 3 RAIL 10FT OC ELEVATION</b>		<b>MATERIAL SPECIFICATIONS</b>	
PROJECT	FINISH	DRAFTER	REVIEWER
CUSTOMER		C. COUVILLON	
SO#			
QUOTE#			
DATE			
5/14/2019			
A36 STEEL: ALL PLATE ANGLE & CHANNEL A500 GRADE B: ALL TUBE STEEL COMMERCIAL GALV: ALL GA WIRE			

SHEET NO.  
**A3**

NOTE: POST SIZE BASED ON 105 MPH WIND LOAD.