

ARMORTEX® BULLET/BLAST RESISTANT PRODUCTS
formerly Safeguard Security Services

5926 Corridor Parkway Schertz, TX 78154
Phone: (800) 880-8306 (210) 661-8306 Fax: (210) 661-8308

ARMORTEX® BULLET RESISTANT DOORS AND FRAMES
INSTALLATION INSTRUCTIONS

1. Do not remove metal shipping straps until door is in vertical position
2. Allow 3/16" between the frame and wall stud on the hinge side of the door.
3. Shim out the bottom of frame in the hinge side to provide approximately 1/8" between door and frame.
4. Install top fastener on hinge side of frame and tighten until door has proper clearance.
5. Install remaining fasteners in frame.
6. Install hardware.
7. Install security glass with approved glazing tape (Tremco 440) and setting blocks. Insure glass is installed with correct side towards threat.
8. If using TC, Glass Clad Polycarbonate (GCP) or TP products plastic side of window needs to be protected when painting the door.

If a split frame is used:

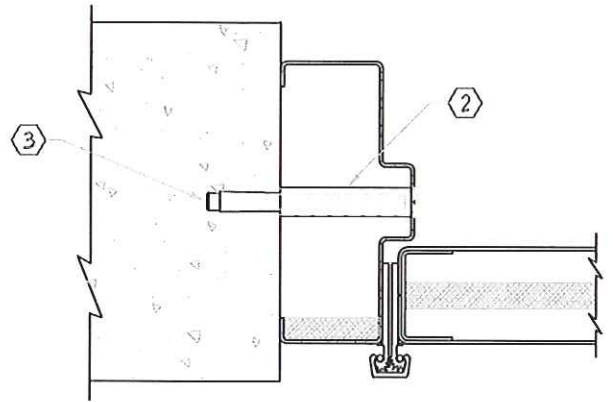
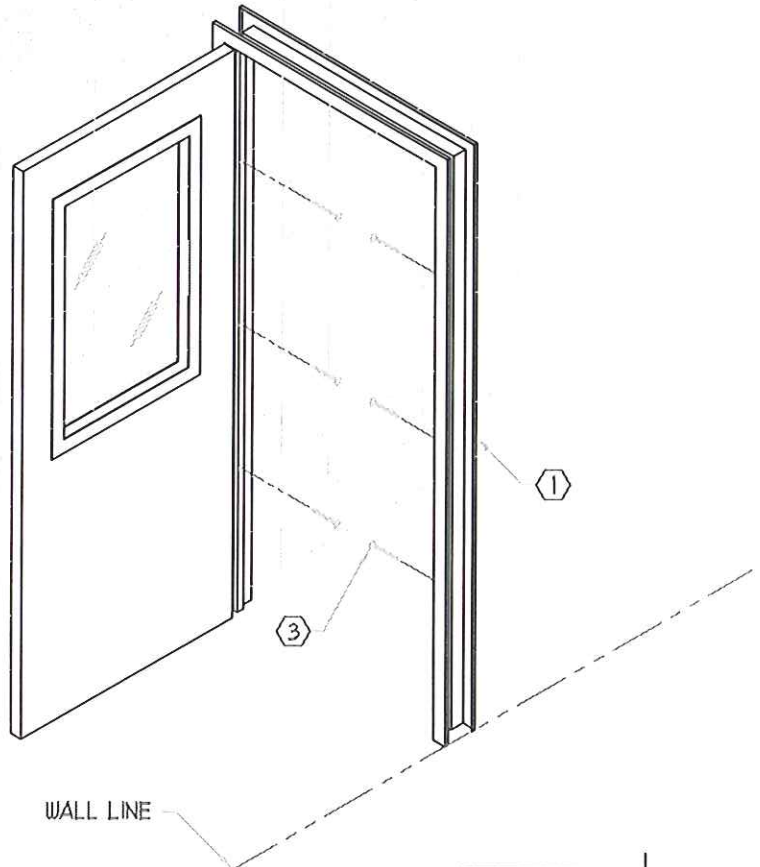
- Step 2. Install trim side of frame (door is not attached to this frame section).
- 2a. Shim as required to allow proper opening for door frame section.
Attach with flat head screws to hold in position.
 - 2b. Install door / door frame section with flat head screws. (not provided)

Masonry Concrete Wall

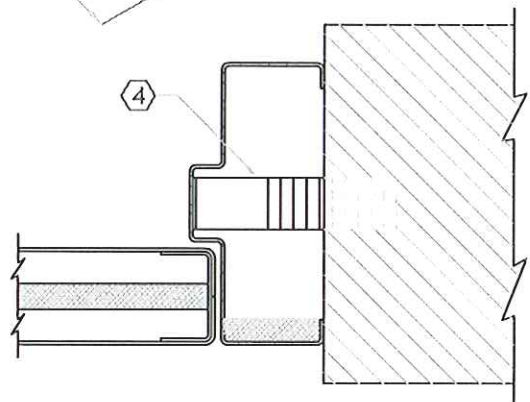
Same as above except in some cases the frame is set before the wall is built, and the wall is built around the frame (strap anchors are welded to the frame).

NOTES:

- ① 16 GA. PRIME PAINTED STEEL DOOR & FRAME
- ② TUBE SPACERS (BY OTHERS)
- ③ ANCHORS (BY OTHERS)
- ④ STRAP ANCHORS (BY ARMORTEX®)



BUTT FRAME - EXISTING OPENING
(MASONRY OR CONCRETE)



BUTT FRAME
(MASONRY BUILD UP)

REVISIONS			ARMORTEX® BULLET / BLAST RESISTANT PRODUCTS		BALLISTIC LEVEL	
No.	DESCRIPTION	DATE	5926 CORRIDOR PKWY SCHERTZ, TX 78154		DRN. BY:	DATE:
			TEL: 210-661-8306 800-880-8306 FAX: 210-661-8308 <td>A. Perez</td> <td>03-14-03</td>		A. Perez	03-14-03
			TITLE: ARMORTEX® BULLET RESISTANT DOOR INSTALLATION DRAWING		CHKD. BY:	DATE:
			UNLESS OTHERWISE SPECIFIED ALL DIMENSIONS ARE IN INCHES		DRAWING No.	SHEET
			SCALE: NONE	PROJECT No.	INST2000	1 OF 1