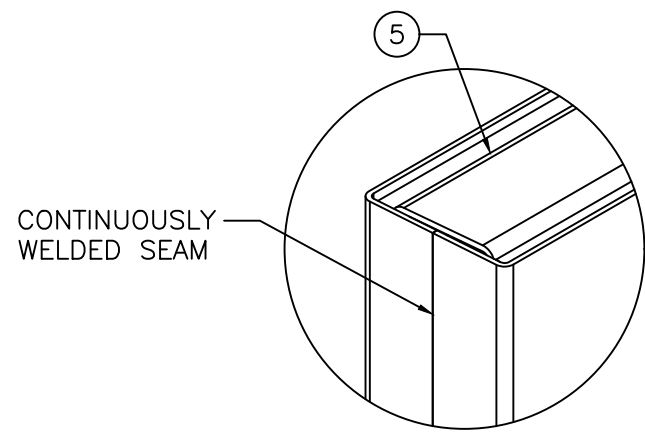
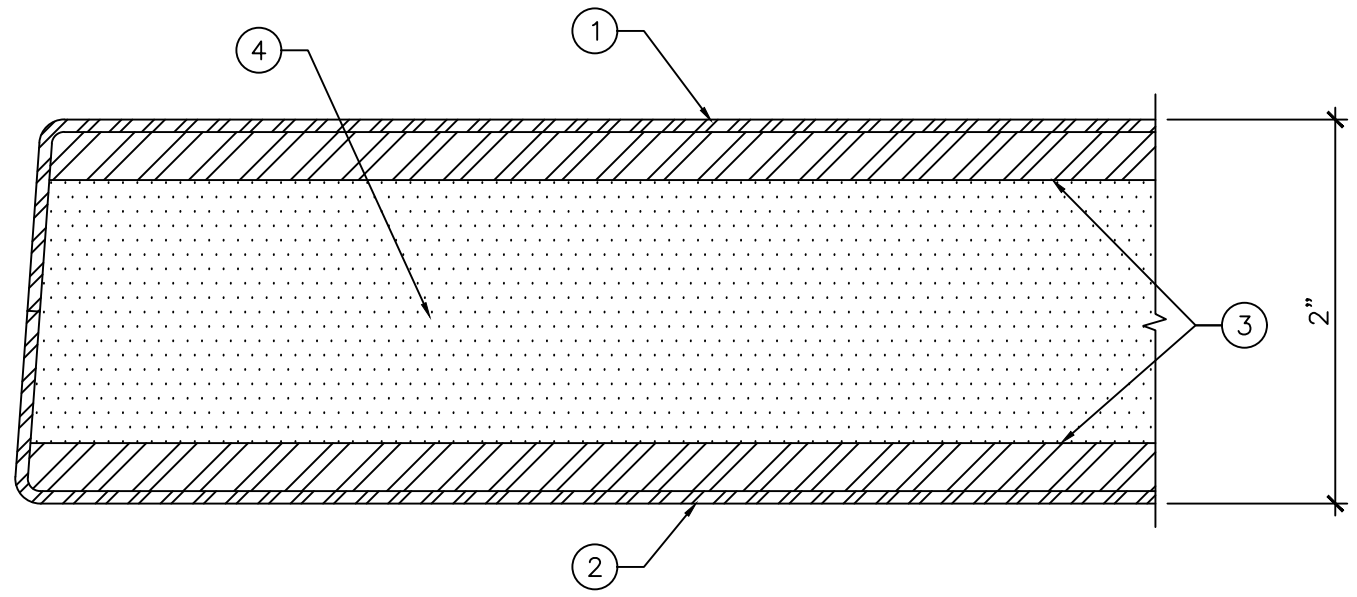


ELEVATION
3/4" = 1'-0"



DETAIL "B"
1'-0" = 1'-0"



SECTION "A"
1'-0" = 1'-0"

LEGEND:

- 1. BACK SKIN.
- 2. FRONT SKIN.
- 3. STEEL PLATE TO UL752 LEVEL 9-10.
- 4. INSULATED CORE.
- 5. STANDARD FLUSH TOP AND BOTTOM END CHANNELS.

NOTE:

- DOOR PREPPED FOR SURFACE HINGES SUPPLIED LOOSE BY AMBICO



DRAWING TITLE:
BULLET RESISTANT STEEL DOOR TO UL 752 LEVEL 9-10

DATE:	MARCH 6, 2017
DRAWN BY:	TWB
REVISION:	0