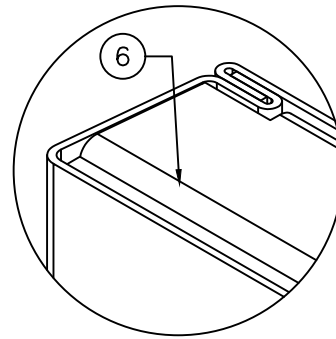


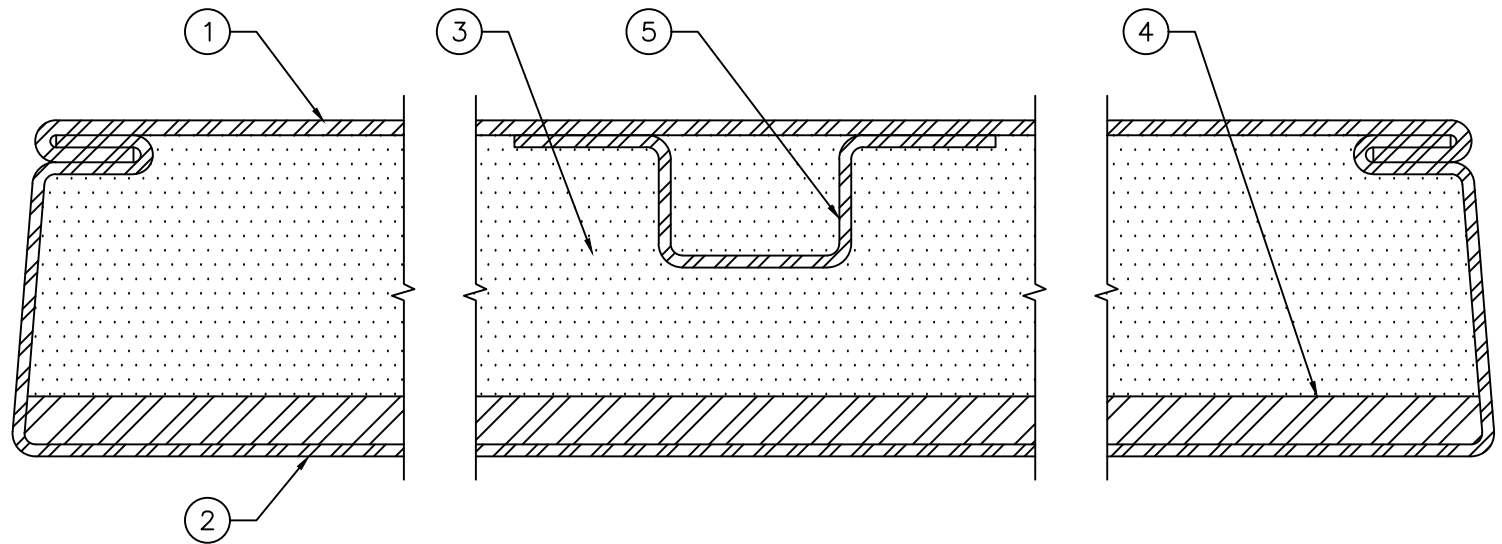
ELEVATION
 $\frac{3}{4}'' = 1'-0''$



DETAIL "B"
 $1'-0'' = 1'-0''$

LEGEND:

1. BACK SKIN.
2. FRONT SKIN.
3. ALL VOIDS FILLED WITH INSULATION.
4. STEEL PLATE TO UL752 LEVEL 1-8
5. STEEL STIFFENED CORE.
6. FLUSH TOP AND BOTTOM END CHANNELS.



SECTION "A"
 $1'-0'' = 1'-0''$



DRAWING TITLE:

BULLET RESISTANT STEEL DOOR TO UL 752 LEVEL 1-8

DATE: MARCH 6, 2017

DRAWN BY: TWB

REVISION: 0